



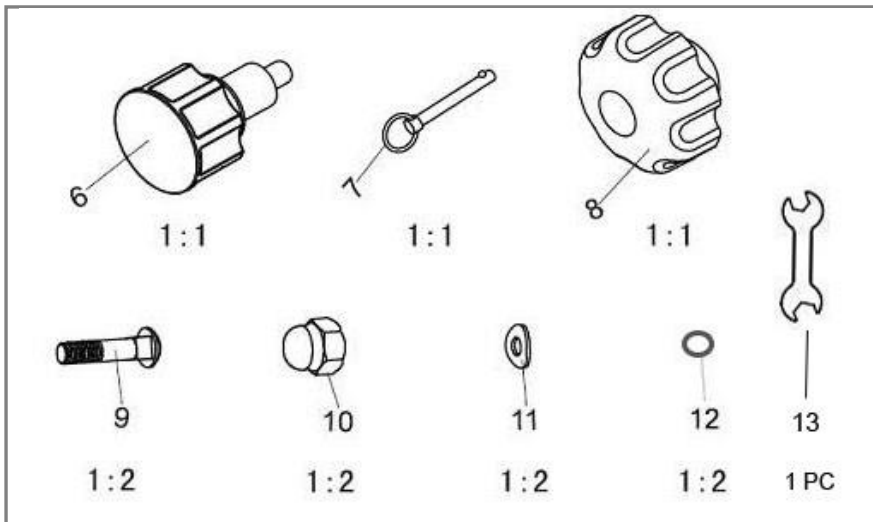
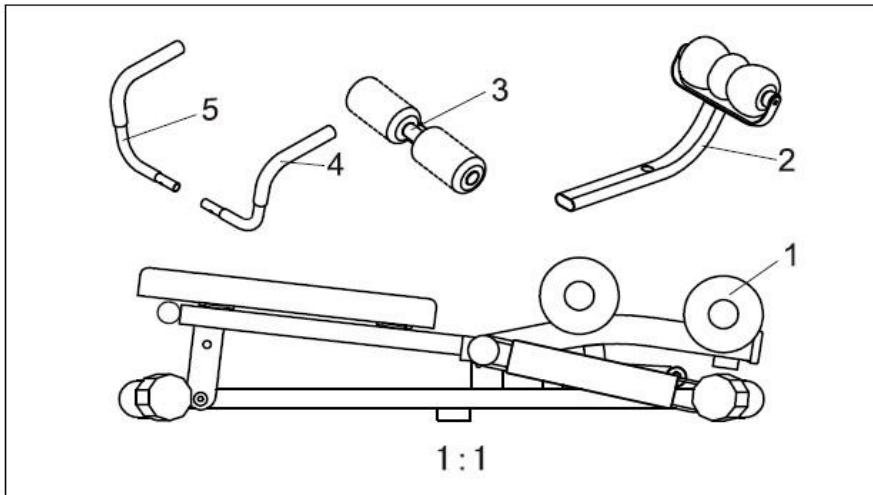
AB | SMART



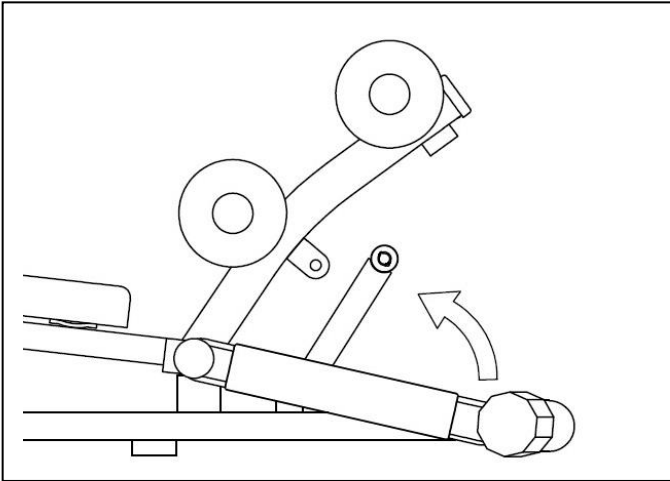
Assembly Instruction

*Unpack the carton and place all parts on the floor carefully.

*Remove the packing material and check there's no missing parts..

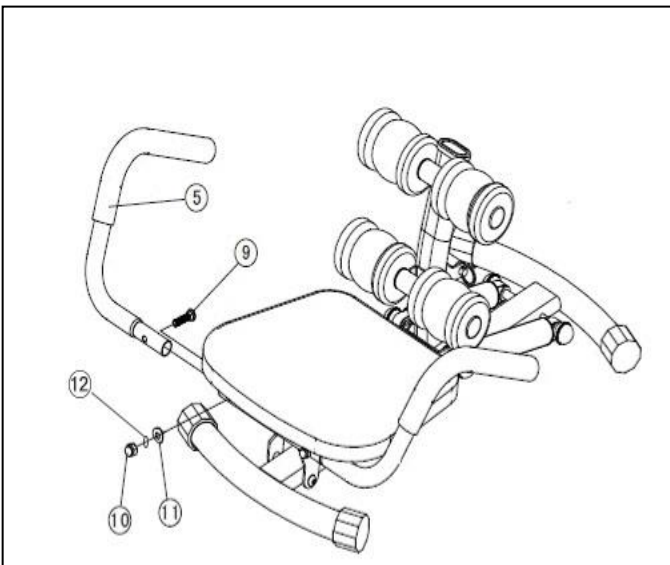
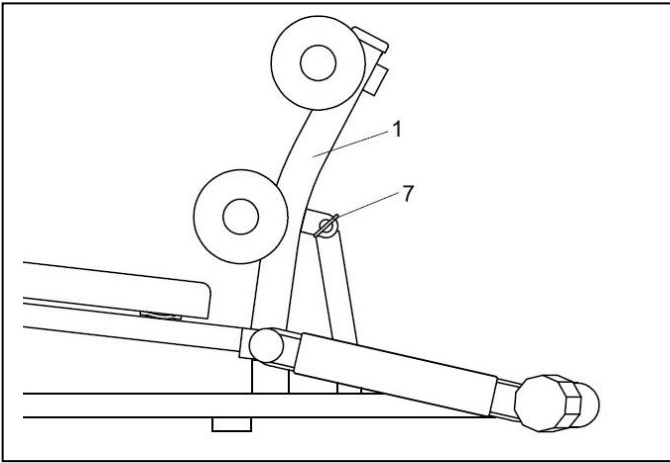


PARTS LIST					
NO.	DESCRIPTION	QTY	NO.	DESCRIPTION	QTY
1.	Main frame	1	8.	Knob	1
2.	Head support	1	9.	Bolt	2
3.	Backrest	1	10.	Nut	2
4.	Left handle	1	11.	Washer	2
5.	Right handle	1	12.	Spring washer	2
6.	Quick release knob	1	13.	Tool	1
7.	Pin	1			



STEP 1

Unfold the Main frame (1) and lock it with the Pin (7).

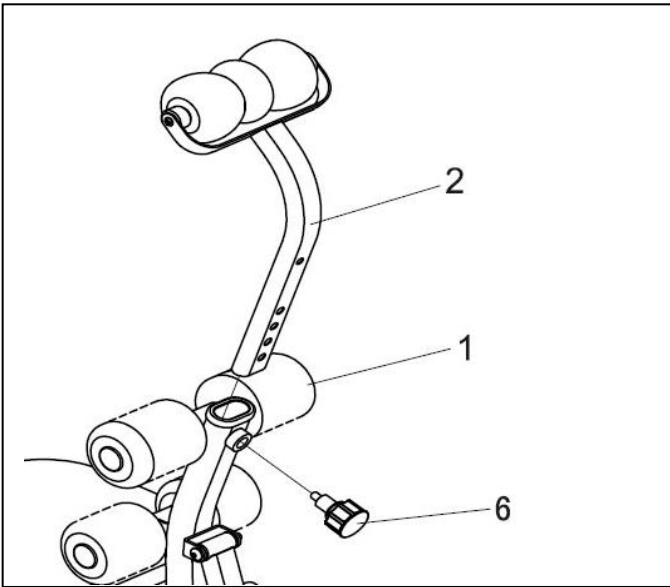


STEP 2

Insert the Right handle (5) into the Main frame (1) and tighten Bolt (9), Nut (10), Washer (11) and Spring Washer (12) by tool (13).

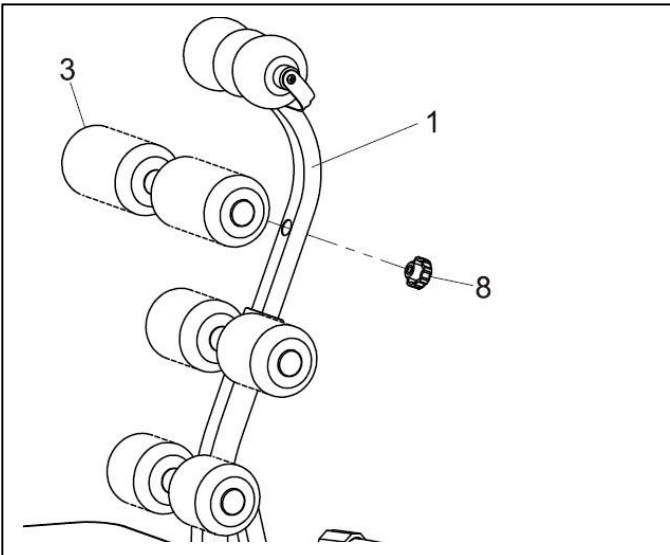
STEP 3

Insert the Left handle (4) into the Main frame (1) and tighten Bolt (9), Nut (10), Washer (11) and Spring Washer (12) by tool (13).



STEP 4

Insert the Head support (2) into the Main frame (1) and tighten it with Quick release knob (6).



STEP 5

Insert the Backrest (3) into the Main frame (1) and tighten it with Knob (8).



GARLANDO SPA

Via Regione Piemonte, 32 - Zona Industriale D1

15068 - Pozzolo Formigaro (AL) - Italy

www.everfit.it - info@everfit.it