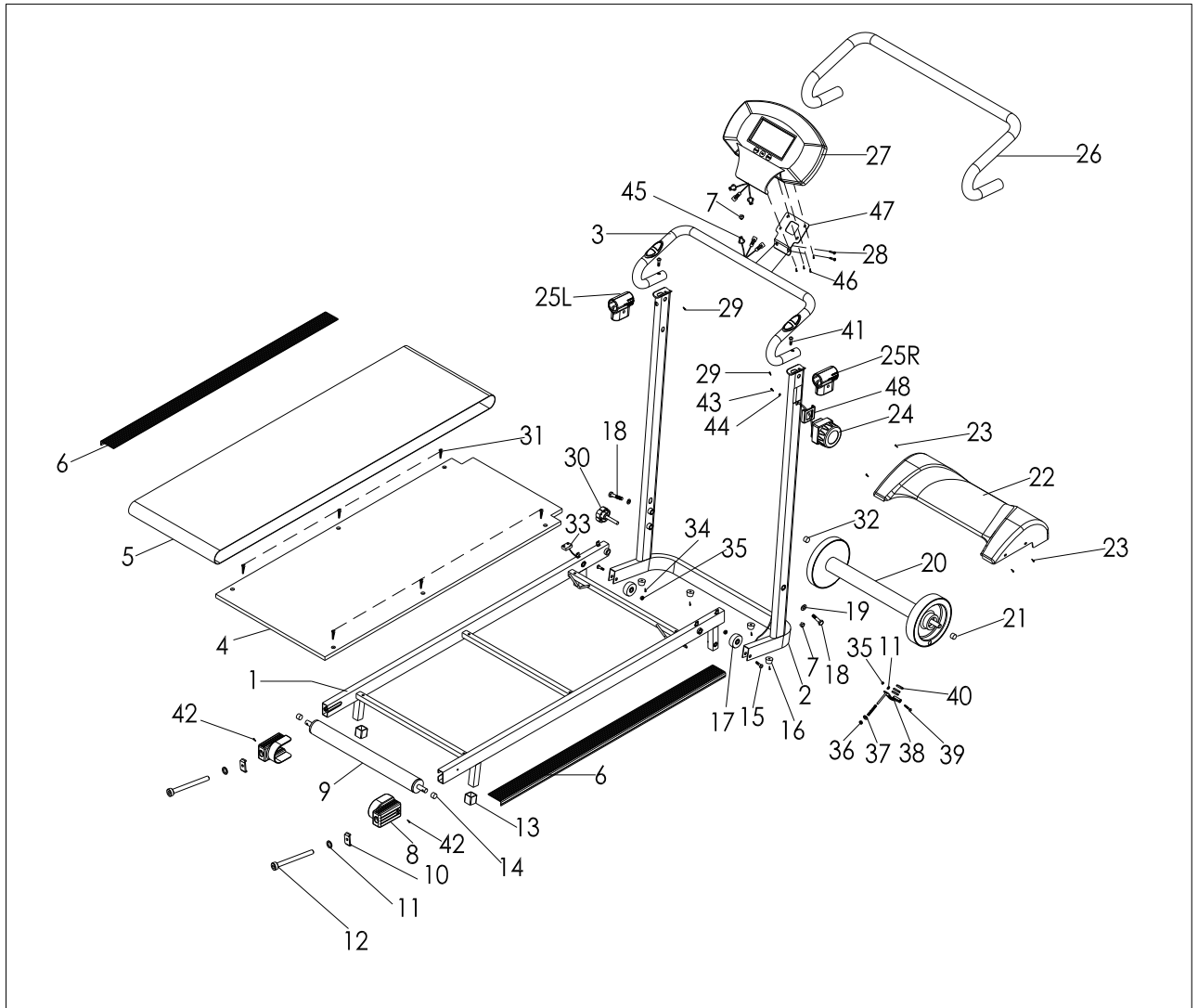




TFK | SLIM MAG



EXPLODED VIEW



PARTS LIST

NO	Name and Specification	QTY	NO	Name and Specification	QTY
1	Main frame	1	23	Philips ScrewM5*10	4
2	Left & Right Upright	1	24	Tension Control Knob	1
3	Handle Bar	1	25L/R	Handle Bar Cover	2
4	Running Board	1	26	Foam Grip	1
5	Running Belt	1	27	Console	1
6	Side Rails	2	28	NO	2
7	Clamp Wire Plug	2	29	Philips Screw ST4.0*12	2
8	Toe Caps	2	30	Locking Pin M10	1
9	Rear Roller	1	31	Philips Screw	6
10	Adjust Breaker	2	32	Spacerφ18*φ12.5*6	1
11	Flat Washer d6	2	33	Sensor	1
12	Allen Bolt M6*65	2	34	Philips Screw M4*15	4
13	Square End Cap 20*20*1.5	2	35	Nylon Nut M8	3
14	Spacer φ12.5*13	2	36	Nylon Nut M6	1
15	Allen Bolt M8*30	2	37	Flat Washer d8	1
16	Foot Cushion φ20*φ16*11.7	4	38	Magnetic Board	1
17	Transportation Wheel φ40*φ8*13	2	39	Allen Bolt M8*75	1
18	Allen Bolt M10*60	2	40	Strong Magnet	3
19	Flat Washer d10	2	41	Allen Bolt M8*30	2
20	Front Roller	1	42	Philips ScrewM5*10	2
21	Spacerφ18*φ12.5*8	1	43	Philips Screw M5*16	1
22	Motor Cover	1	44	Flat Washer d5*Φ18*1.5	1
			45	Middle Sensor Wire	1

Assembly Instruction:

Step 1

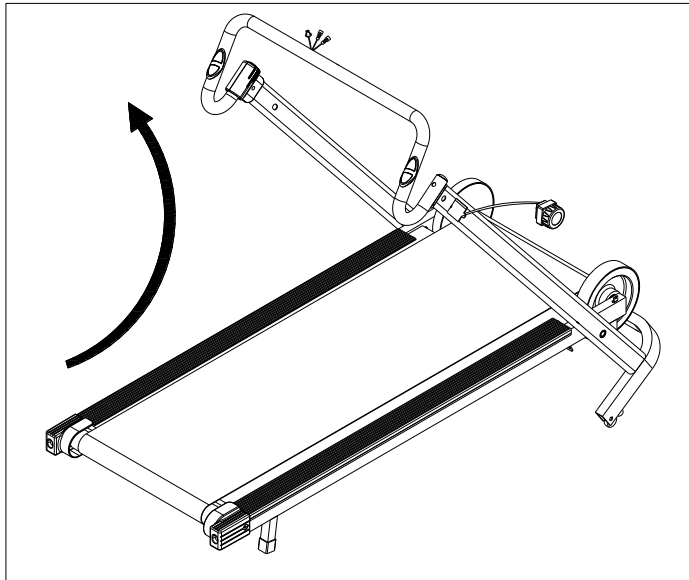


IMAGE 1

Open the treadmill as per IMAGE 1 shows, till the left & right upright is vertical.

Step 2

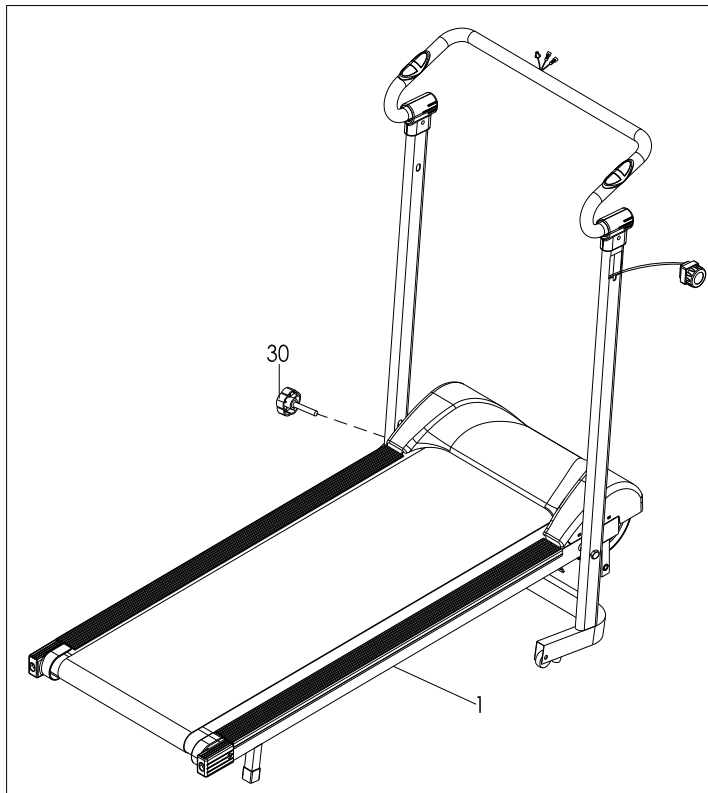
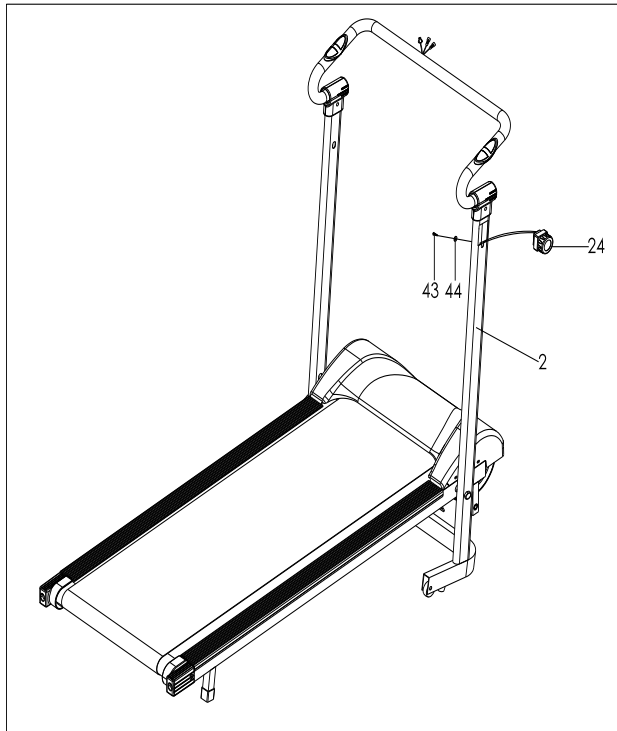


IMAGE 2

Fasten the locking pin (30) into the main frame (1)

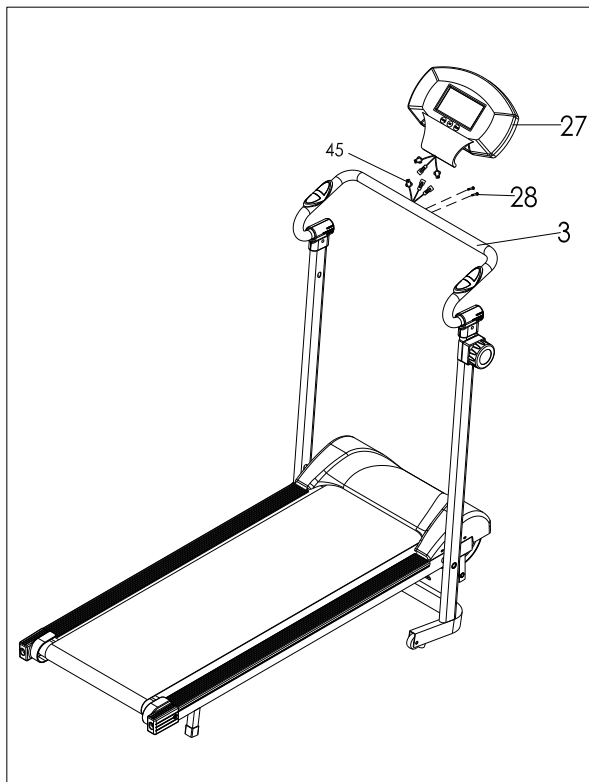
Step 3



Connect the computer wire with middle sensor wire (45) then fasten the console(27) on the handle bar (3).

IMAGE 3

Step 4



Put the tension control knob (24) on the right upright (2), fasten it with the a Philips screw (43) and flat washer (44).

IMAGE 4

I.

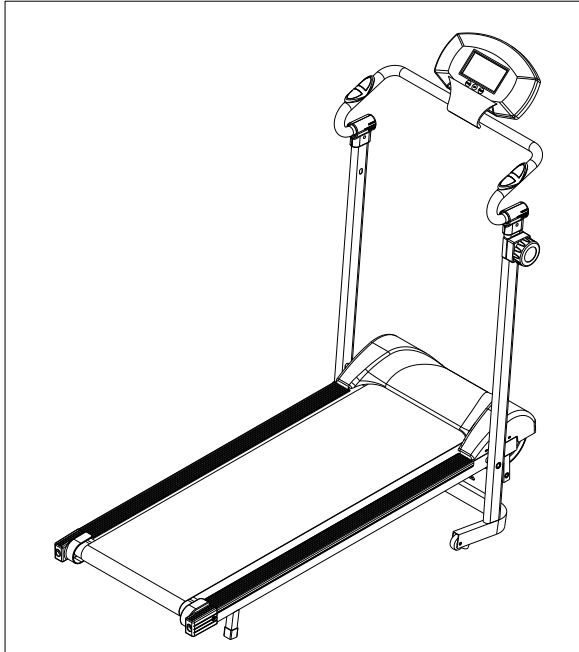
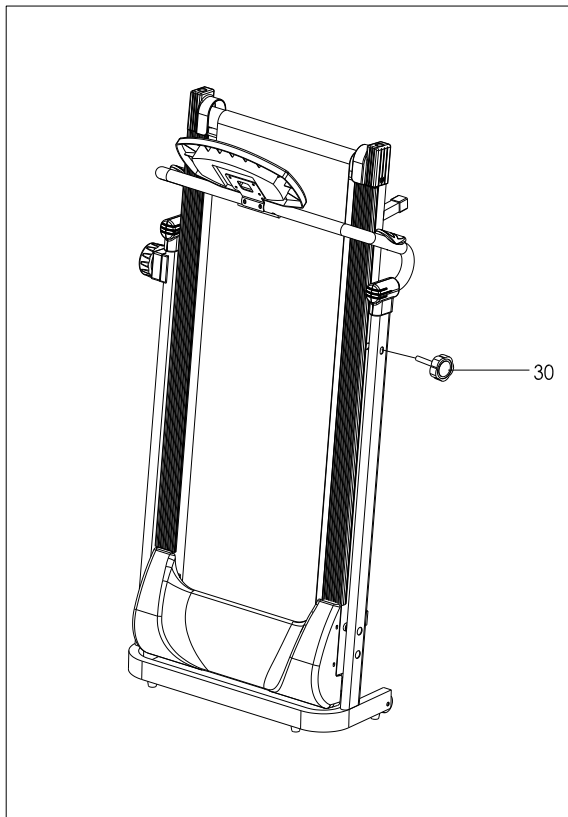


IMAGE 6

II.



Fold the treadmill and lock it in place with the locking pin (30) after exercise.

IMAGE 7



GARLANDO SPA

Via Regione Piemonte, 32 - Zona Industriale D1

15068 - Pozzolo Formigaro (AL) - Italy

www.everfit.it - info@everfit.it