

**everfit**

**INSTRUCTION**



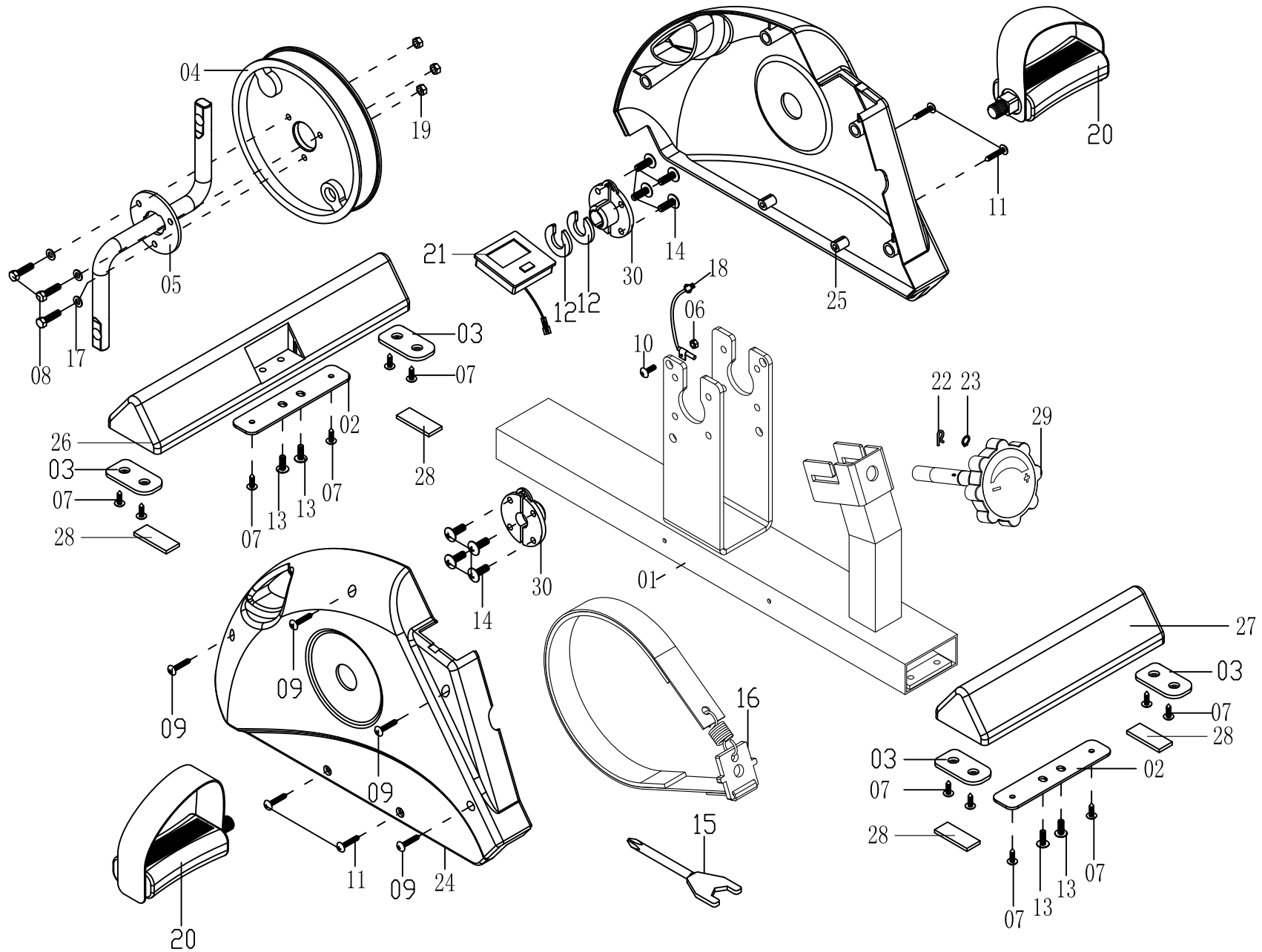
**WELLY M**



## PARTS LIST

PART NO.	DESCRIPTION	Q'TY
1	MAIN FRAME	1
2	FIXED CONNECTING PLATE	2
3	TENSION CONTROL ADJUSTING PLATE	1
4	FLYWHEEL	1
5	CRANK	1
6	ADJUSTING BOLT	1
7	ADJUSTING NUT	1
8	HEXAGON SCREWS	3
9	HEXAGON SCREWS	1
10	CROSS HALF SCREWS	1
11	CROSS UMBRELLA HEAD TAPPING SCREW	4
12	CROSS UMBRELLA HEAD TAPPING SCREW	4
13	CROSS UMBRELLA HEAD SCREW	4
14	CROSS UMBRELLA HEAD SCREW	8
15	CROSS COLLATERAL RESISTANCE UMBRELLA HEAD	1
16	CROSS COUNTERSUNK HEAD SCREW	1
17	FLAT WASHER	3
18	SENSOR MAGNETIC	1
19	NYLON NUT	4
20	NYLON NUT	1
21	NUT	1
22	FIXED PIN	1
23	C TYPE CLIP	1
24	CHAIN COVER LEFT	1
25	CHAIN COVER RIGHT	1
26	FRONT STABILIZER	1

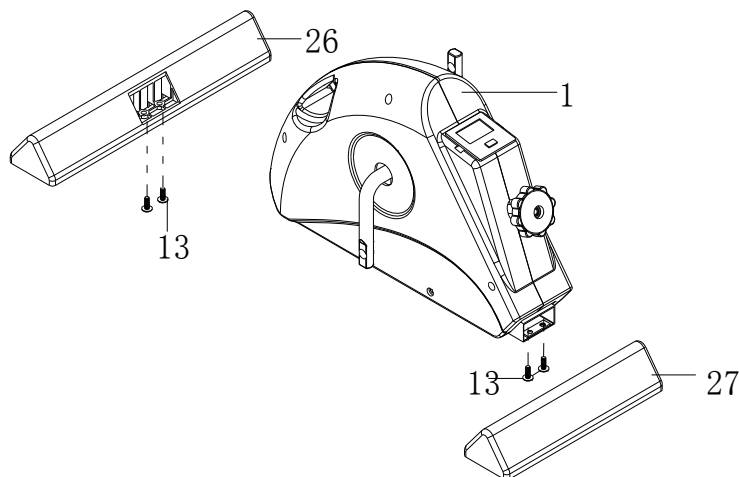
27	REAR STABILIZER	1
28	LEVELING PAD	4
29	TENSION KNOB	1
30	BUCKLE FOR CRANK	2
31	BELT BUCKLE	1
32	CURVE WASHER	2
33	MONITOR	1
34	PEDAL L/R	1/1
35	STRAP WITH SPRING SET	1
36	COMBINATION WRENCH	1
37	HEXAGON SCREWS	1
38	SELF-TAPPING SCREW	4
39	SELF-TAPPING SCREW	8
40	NUT	1
41	SEAL COVER OF STABILIZER	4



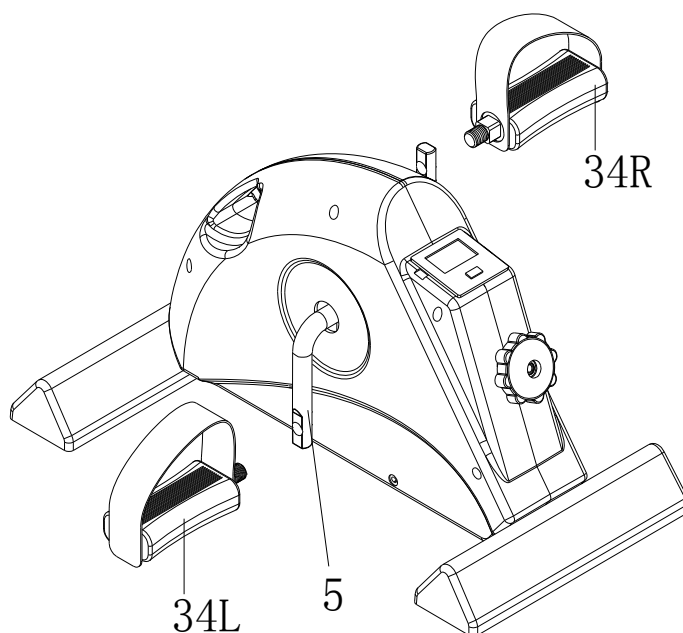
<b>WELLY-M Spare parts</b>			
<b>PART</b>	<b>REF CODE</b>	<b>DESCRIPTION</b>	<b>QTY</b>
01	WELLM-001	MAIN FRAME	1
02	WELLM-002	FIXED CONNECTING PLATE	2
03	WELLM-003	SEAL COVER OF STABILIZER	4
04	WELLM-004	FLYWHEEL	1
05	WELLM-005	CRANK	1
06	WELLM-006	ADJUSTING BOLT	1
07	WELLM-007	ADJUSTING NUT	12
08	WELLM-008	HEX HEAD BOLT M6*20	3
09	WELLM-009	SELF-TAPPING SCREW M6*20	4
10	WELLM-010	SCREW M4*10	1
11	WELLM-011	SCREW M4*25	4
12	WELLM-012	CURVE WASHER	2
13	WELLM-013	SCREW M5*15	4
14	WELLM-014	SCREW M6*10	8
15	WELLM-015	COMBINATION WRENCH	1
16	WELLM-016	STRAP WITH SPRING SET	1
17	WELLM-017	FLAT WASHER	3
18	WELLM-018	SENSOR WIRE	1
19	WELLM-019	NYLON NUT	3
20	WELLM-020	PEDAL L & R	1 & 1
21	WELLM-021	MONITOR	1
22	WELLM-022	FIXED PIN	1
23	WELLM-023	C - CLIP	1
24	WELLM-024	CHAIN COVER LEFT	1
25	WELLM-025	CHAIN COVER RIGHT	1
26	WELLM-026	FRONT STABILIZER	1
27	WELLM-027	REAR STABILIZER	1
28	WELLM-028	EVA PAD	4
29	WELLM-029	TENSION KNOB	1
30	WELLM-030	BUCKLE FOR CRANK	2

## **ASSEMBLY STEPS**

1. Attach the Front Stabilizer (26) to the Main Body (1) with 2 sets of Cross umbrella head screw (13) and tighten.  
Attach the Rear Stabilizer (27) to the Main Body (1) with 2 sets of Cross umbrella head screw (13) and tighten.



2. The Right Pedal (34) is marked "R" on the tip of the pedal axle. Attach to the appropriate Crank(5).  
The Left Pedal (34) is marked "L" at the tip of the pedal axle, attach to the appropriate Crank (5).



## COMPUTER INSTRUCTIONS

To activate the LCD display, Press the Red Display Button or turn the pedals.  
(The Display will also power-on just by moving the pedals forward)



The following functions will appear as you press the Red display Button:

- >SCAN➔** Scan will appear on the bottom left of the display once you have pressed through
- >TIME➔** The time displays the actual minutes and seconds the pedals have been in motion.  
STOP will appear on the left side of the display when the timer is paused.
- >COUNT➔** Displays the number of completed 360 degree rotations within a session.
- >CAL➔** Shows the approximate calories burned while pedaling.
- >TTR➔** Total Time Rotated shows the number of completed 360 degree rotations made over multiple sessions.

**RESET:** Reset all statistics (except for Total Count which will remain in memory) by pressing and holding the Red Display Button for 4 seconds.

**BATTERY REPLACEMENT:** The display uses 1 battery of AAA 1.5V



GARLANDO SPA

Via Regione Piemonte, 32 - Zona Industriale D1

15068 - Pozzolo Formigaro (AL) - Italy

[www.everfit.it](http://www.everfit.it) - [info@everfit.it](mailto:info@everfit.it)